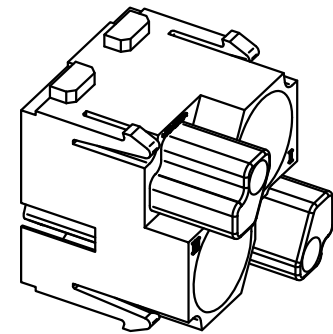



Technical data:

- No. of contact: 4 + shielding
- Termination method: Crimp termination
- Gender: Female
- Rated current: 10A
- Rated voltage: 50V
- Rated impulse voltage: 0,8kV
- Insulation resistance: $\geq 10^{10}\Omega$
- Contact resistance: $\leq 0,3m\Omega$
- Limiting temperature: -40 ... +125°C
- Material(insert): Polycarbonate
- Material(shielding): Zinc die-cast, nickel plated
- Color(insert): RAL 7032(pebble grey)
- Mating cycles: ≥ 500
- Material flammability class acc. to UL94: V-0
- RoHS: Compliant
- Specifications: IEC61984, EN60664-1

技术数据:

- 针数: 4+ 屏蔽
- 接线方式: 冷压接针
- 公母类型: 母头
- 额定电流: 10A
- 额定电压: 50V
- 污染等级: 3
- 绝缘阻抗: $\geq 10^{10}\Omega$
- 接触电阻: $\leq 0,3m\Omega$
- 极限温度: -40 ... +125°C
- 材料(插芯): 聚碳酸酯
- 材料(屏蔽层): 压铸锌, 镀镍
- 颜色(插芯): RAL 7032(卵石灰)
- 插拔次数: ≥ 500
- 材料阻燃性等级符合UL94: V-0
- RoHS: 符合豁免标准
- 规格: IEC61984, EN60664-1



 InKonn (Suzhou) Electric Technology Co.,Ltd.	All Dimensions in mm Original Size DIN A4	Date 2022-4-19	Drawing No. TC6074564	Rev. A00	Scale 1:1
	Part No. 10 38 002 0200	Created by Han Lyu	Checked by Yiyi Luo	Page 1/1	Type Name I2M-002-F